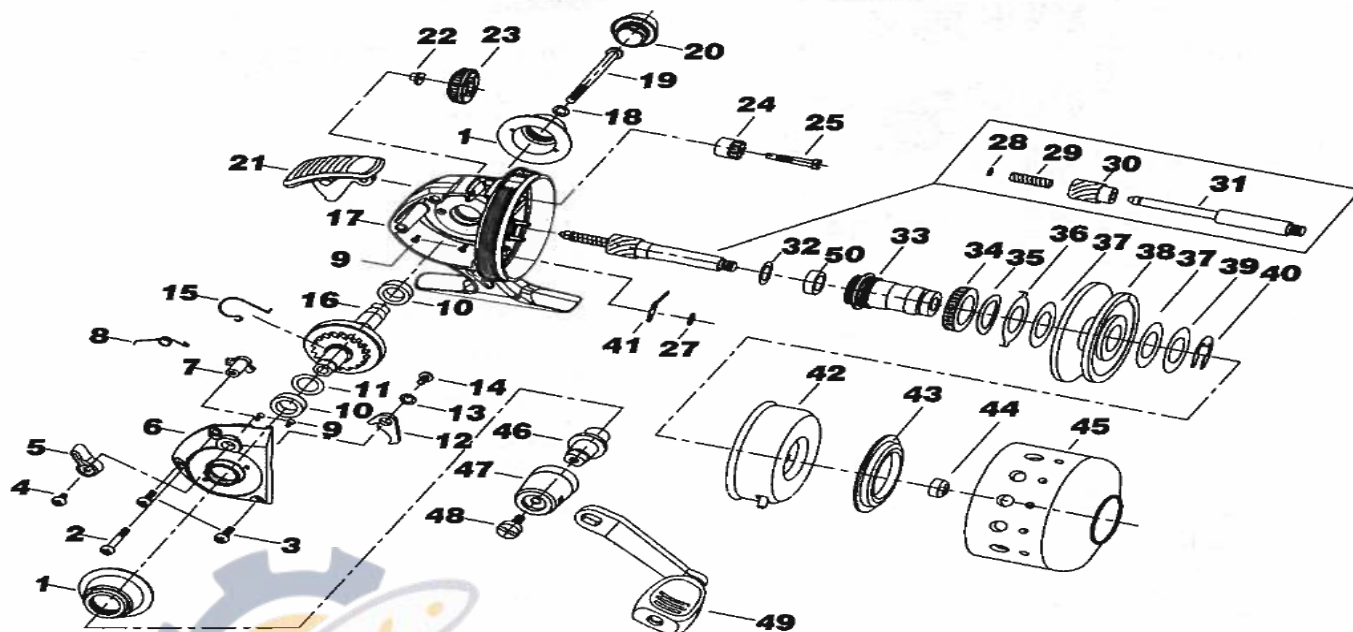


SILVERCAST 170A



Key No.	Parts No.	Parts Name	Key No.	Parts No.	Parts Name
1	W59-7901	Side ring	25	W31-7702	Screw (F)
2	W31-5102	Screw (A)	27	W31-7901	Retainer
3	W31-5201	Screw (B)	28	W31-8001	Spring retainer
4	W31-5301	Screw (C)	29	W31-8101	Main shaft spring
5	W31-5401	Anti-reverse lever	30	W59-6601	Pinion gear
6	W59-8001	Side cover	31	W31-8402	Main shaft
7	W31-5702	Anti-reverse cam	32	W31-8501	Washer (D)
8	W31-5801	Anti-reverse cam spring	33	W31-8702	Spool metal
9	W31-5901	Screw (D)	34	W31-8803	Drag plate
10	W34-3602	Ball bearing	35	W31-8902	Drag spring washer
11	W31-6101	Washer (A)	36	W31-9003	Eared washer
12	W31-6203	Anti-reverse pawl	37	W31-9102	Drag washer
13	W31-6301	Washer (B)	38	W59-8301	Spool
14	W31-6401	Screw (E)	39	W31-9502	Key washer
15	W31-6502	Anti-reverse pawl spring	40	W31-9602	Spool retainer
16	W31-6611	Drive gear	41	W31-9701	Click spring
17	W59-8101	Body	42	W32-0011	Rotor
18	W31-7001	Washer (C)	43	W32-0202	Line stopper
19	W31-7102	Drive shaft	44	W32-0301	Rotor nut
20	W59-6401	Cap	45	W59-8401	Front cover
21	W59-8201	Push button	46	W32-0701	Handle metal
22	W31-7401	Drag collar	47	W59-8501	Handle stand
23	W31-7501	Drag dial	48	W32-0901	Handle screw
24	W31-7602	Drag gear (A)	49	W59-8601	Handle
			50	W31-6011	Ball bearing